

Human · Technology · Natural



CHINA SUNTREE ELECTRIC CO.,LTD

Address: Fangdoutan industrial zone, Lushi town, Yueqing city, Zhejiang province.

Tel: 0577-62890205

Hot line: 0577-62890208

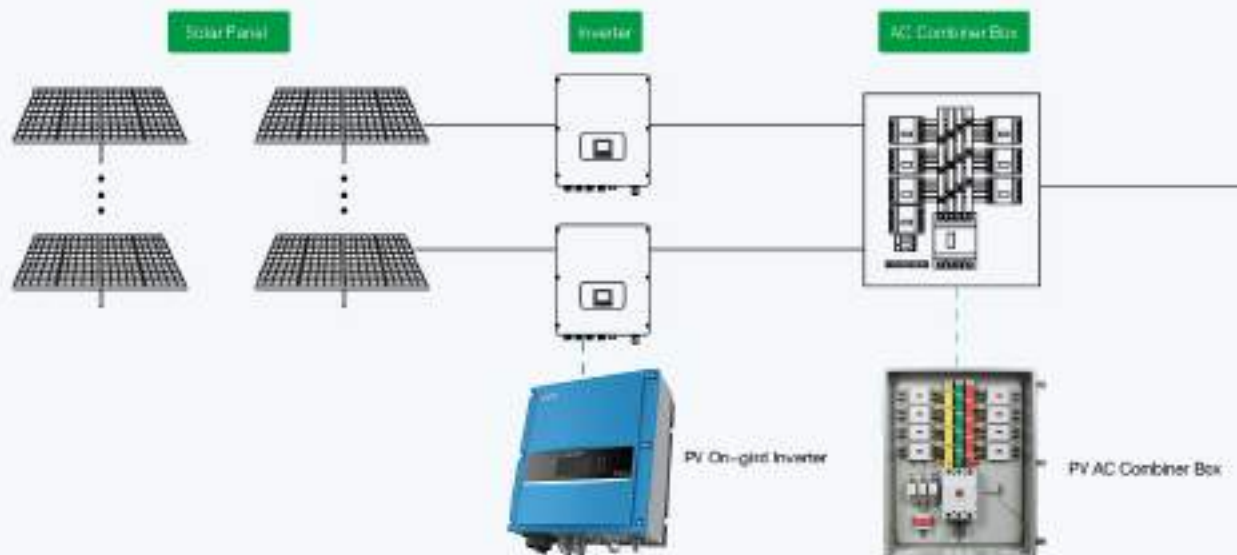
Fax: 0577-62890578

E-mail: julie@chinasuntree.com

Website: www.chinasuntree.com

If you need more information, welcome to contact our technical team. As products keep on improving, please refer to physical or user manual. If any change in this file, without notice separately.

suntree
Power Technology Partner



PV Set of String Type Grid Inverter : LS/LT (CE, CQC, A54777 2015, PEA, MEA, IEC2100, G83/G50, EN50438)

PV DC MCB : SL7-PV (CCC, TUV, SAA, IEC)

PV DC Rotate Isolator Switch : SISO-Z (CCC, TUV, SAA, IEC)

PV DC SPD : SUP4-PV (1500V TUV)

PV Inverter Ethernet Connector : SMA4 (CE, ROHS, TUV)

PV Inverter USB Connector : SME4 (CE, ROHS)

PV Inverter USB Connector : SMU4 (CE, ROHS)

PV Waterproof Connector : SMC4 (CE, ROHS, TUV)

PV AC Combiner Box : SHLX-AC (CCC)

PV AC Frame-Type Circuit Breaker : SW8 (CCC, CE)

PV AC MCCB : SM8 (CCC, TUV, CE, IEC)

PV AC MCB : SC88 (CCC, TUV, IEC)

PV AC Load-Disconnect Switch : SGL (CCC, IEC)

PV AC SPD : SUP1/SUP2 (CE)

High Voltage Earth Switch : 5V8



SISO-Z



SL7-PV



SUP1-PV



SMA4



SMC4



SME4



SMU4



SM8



SGL



SUP1



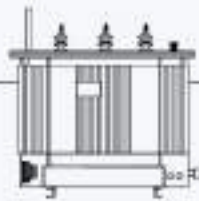
SUP2

GROUND STRING TYPE PV GRID POWER PLANT SPECIFIC PRODUCTS

AC Cabinet



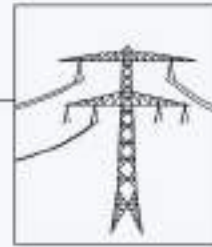
Boasting Transformer



High-Voltage Distribution Cabinet and Measuring System



High-Voltage Power Grid



SW8
Resistant Low Temperature Type
Resistance Salt Fog Type
Plateau Type



SW8



SGL



SCBE



BUP1



SUP2



SV8



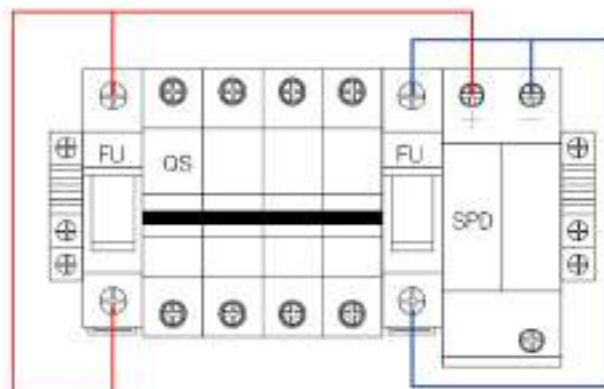
JMS

Suntree, Technology
Connects human and nature

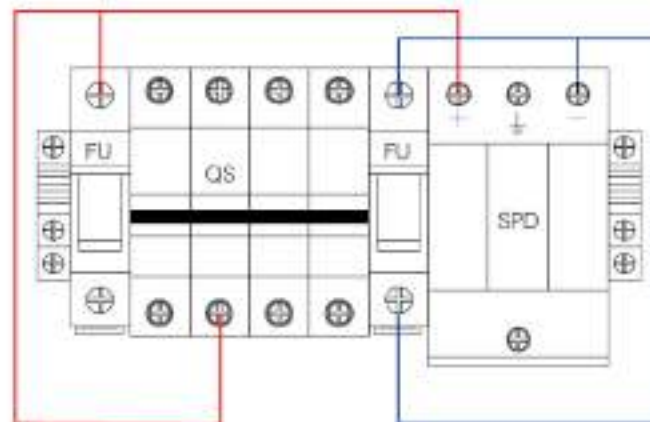


SHLX-PV1/1 DC COMBINER BOX

- High reliability
With DC FUSE
With DC Surge Protection Device
With DC circuit breaker or DC load isolation switch.
- Strong adaptability
IP65 design, waterproof, anti dust and anti ultraviolet.
Strict test for high and low temperature, used widely.
The simple installation, the simplified system wiring, the convenient wiring.
The box body is made of cold rolled steel and other metal materials.
- Flexible configuration
Used for single crystal silicon solar modules, polycrystalline silicon solar modules, thin film solar modules. Current rating of the photovoltaic fuse, circuit breaker, load isolation switch is modified.



DC550V



DC1000V

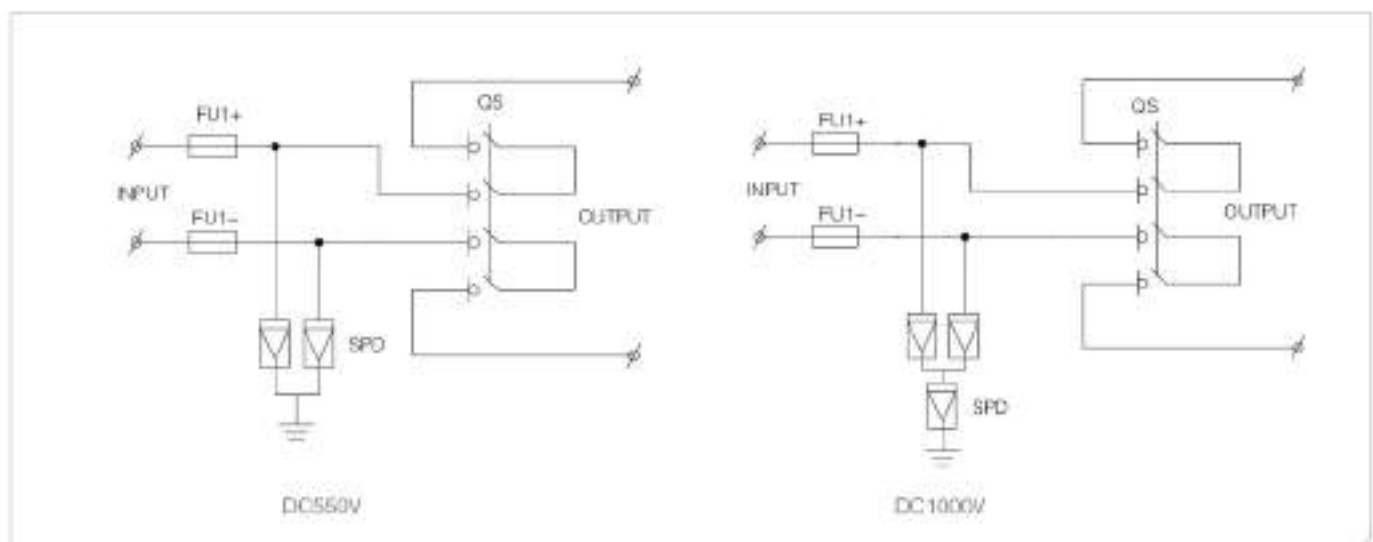
DESCRIPTION

SHLX-PV1/1 combiner box is suitable for inverter (MAX input voltage DC550V/DC1000V, 1 PV input channel, 1 output channel; single MPPT inverter). Box body is made of PVC engineering materials, with test for fire retardant, temperature rise, anti impact, anti ultraviolet, and other testing. IP65 protection grade.

TECHNICAL PARAMETERS

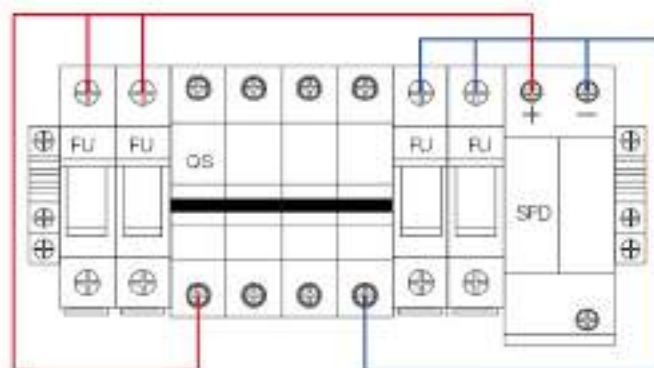
Name	SHLX-PV1/1	
	Electric parameter	
System maximum dc voltage	550	1000
Maximum input current for each string	15A	
Maximum input strings	1	
Maximum output switch current	16A/20A	
Number of inverter MPPT	1	
Number of Output strings	1	
	Lightning protection	
Category of test	II grade protection	
Nominal discharge current	20kA	
Maximum discharge current	40kA	
Voltage protection level	2.8kV	3.8kV
Maximum continuous operating voltage U _c	630V	1050V
Poles	2P	3P
Structure characteristic	Plug-push module	
	System	
Protection grade	IP65	
Output switch	DC isolation switch(standard)/DC circuit breaker(optional)	
SMC4 Waterproof Connectors	Standard	
PV dc fuse	Standard	
PV surge protector	Standard	
Monitoring module	Optional	
Preventing diode	Optional	
Box material	PVC	
Installation method	Wall mounting type	
Operating Temperature	-25℃~+55℃	
Elevation of temperature	2000M	
Permissible relative humidity	0-95% , no condensation	
	Mechanical parameter	
Width×High×Depth	300×260×140	

SCHEMATIC DIAGRAM

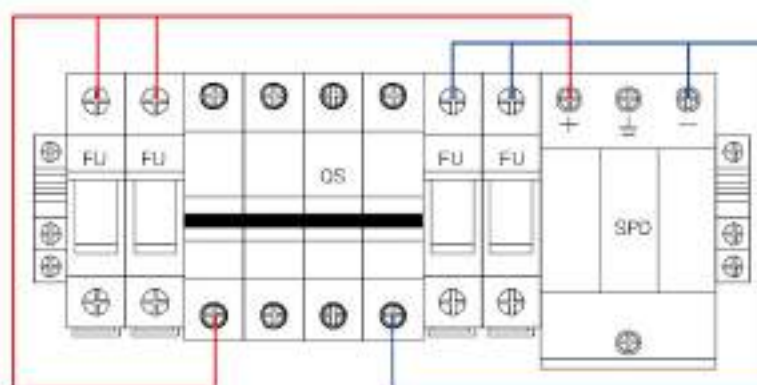


SHLX-PV2/1 DC COMBINER BOX

- High reliability
With DC FUSE
With DC Surge Protection Device
With DC circuit breaker or DC load isolation switch.
- Strong adaptability
IP65 design, waterproof, anti dust and anti ultraviolet.
Strict test for high and low temperature, used widely.
The simple installation, the simplified system wiring, the convenient wiring.
The box body is made of cold rolled steel and other metal materials.
- Flexible configuration
Used for single crystal silicon solar modules, polycrystalline silicon solar modules, thin film solar modules. Current rating of the photovoltaic fuse, circuit breaker, load isolation switch is modified.



DC550V



DC1000V

DESCRIPTION

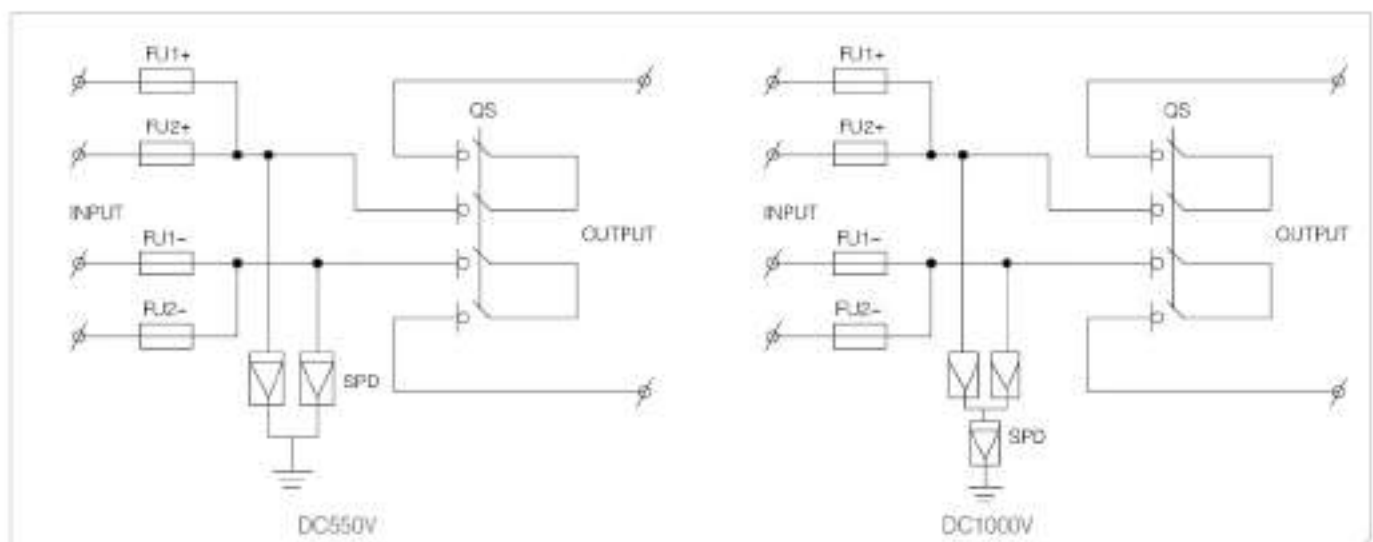
SHLX-PV2/1 combiner box is suitable for inverter (MAX input voltage DC550V/DC1000V, 2 PV input channel, 1 output channel; single MPPT inverter). Box body is made of PVC engineering materials, with test for fire retardant, temperature rise, anti impact, anti ultraviolet, and other testing. IP65 protection grade.

Design and configuration strictly accordance with the "Technical specification for photovoltaic junction equipment" CGC/GF-037.2014.

TECHNICAL PARAMETERS

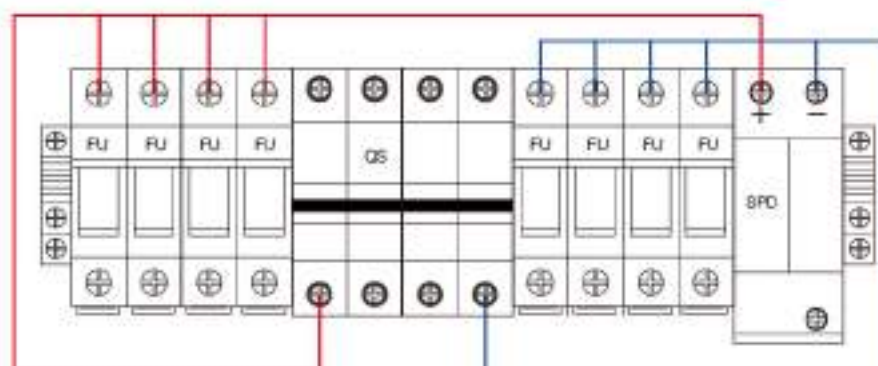
Name	SHLX-PV2/1		
	Electric parameter		
System maximum dc voltage	550		1000
Maximum input current for each string	15A		
Maximum input strings	1		
Maximum output switch current	20A/32A		
Number of inverter MPPT	1		
Number of Output strings	1		
	Lightning protection		
Category of test	II grade protection		
Nominal discharge current	20kA		
Maximum discharge current	40kA		
Voltage protection level	2.8kV		3.8kV
Maximum continuous operating voltage U _c	630V		1050V
Poles	2P		3P
Structure characteristic	Plug-push module		
	System		
Protection grade	IP65		
Output switch	DC isolation switch(standard)/DC circuit breaker(optional)		
SMC4 Waterproof Connectors	Standard		
PV dc fuse	Standard		
PV surge protector	Standard		
Monitoring module	Optional		
Preventing diode	Optional		
Box material	PVC		
Installation method	Wall mounting type		
Operating Temperature	-25°C ~ +55°C		
Elevation of temperature	2000M		
Permissible relative humidity	0-95% , no condensation		
	Mechanical parameter		
Width×High×Depth	300×260×140		

SCHEMATIC DIAGRAM

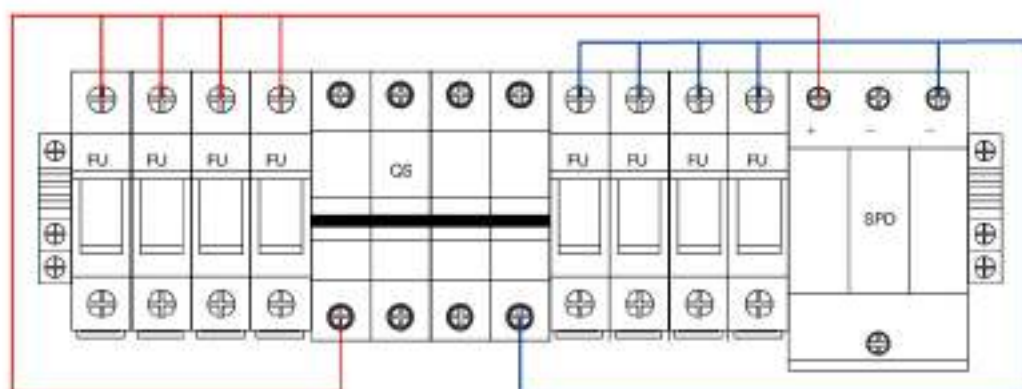


SHLX-PV4/1 DC COMBINER BOX

- High reliability
With DC FUSE
With DC Surge Protection Device
With DC circuit breaker or DC load isolation switch.
- Strong adaptability
IP65 design, waterproof, anti dust and anti ultraviolet.
Strict test for high and low temperature, used widely.
The simple installation, the simplified system wiring, the convenient wiring.
The box body is made of cold rolled steel and other metal materials.
- Flexible configuration
Used for single crystal silicon solar modules, polycrystalline silicon solar modules, thin film solar modules. Current rating of the photovoltaic fuse, circuit breaker, load isolation switch is modified.



DC550V



DC1000V

DESCRIPTION

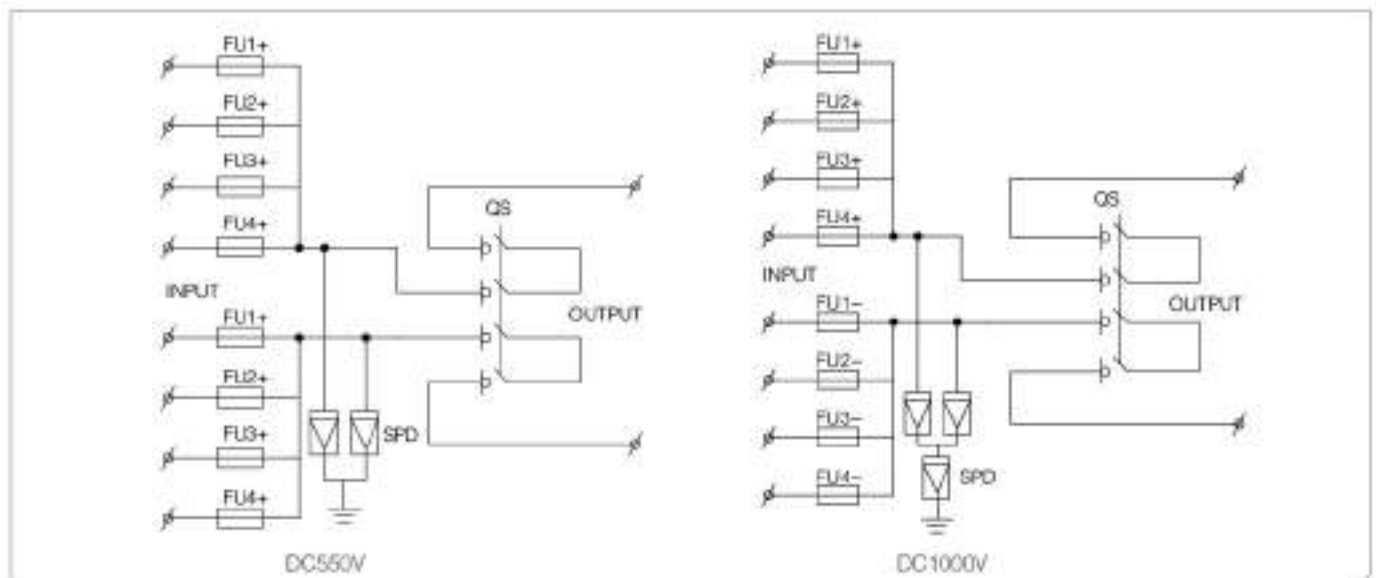
SHLX-PV4/1 combiner box is suitable for inverter (MAX input voltage DC550V/DC1000V, 4 PV input channel, 1 output channel, single MPPT inverter). Box body is made of PVC engineering materials, with test for fire retardant, temperature rise, anti impact, anti ultraviolet, and other testing, IP65 protection grade.

Design and configuration strictly accordance with the "Technical specification for photovoltaic junction equipment" CGC/GF 037:2014.

TECHNICAL PARAMETERS

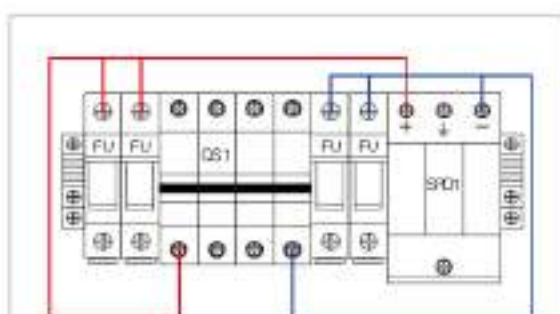
Name		SHLX-PV4/1	
Electric parameter			
System maximum dc voltage	550		1000
Maximum input current for each string		15A	
Maximum input strings		1	
Maximum output switch current		50A/63A	
Number of inverter MPPT		1	
Number of Output strings		1	
Lightning protection			
II grade protection			
Nominal discharge current		20kA	
Maximum discharge current		40kA	
Voltage protection level	2.8kV		3.8kV
Maximum continuous operating voltage U _c	630V		1050V
Poles	2P		3P
Plug-push module			
System			
Protection grade		IP65	
Output switch		DC isolation switch(standard)/DC circuit breaker(optional)	
SMC4 Waterproof Connectors		Standard	
PV dc fuse		Standard	
PV surge protector		Standard	
Monitoring module		Optional	
Preventing diode		Optional	
Box material		PVC	
Installation method		Wall mounting type	
Operating Temperature		-25°C~+55°C	
Elevation of temperature		2000M	
Permissible relative humidity		0-95% , no condensation	
Mechanical parameter			
Width×High×Depth		410×285×140	

SCHEMATIC DIAGRAM

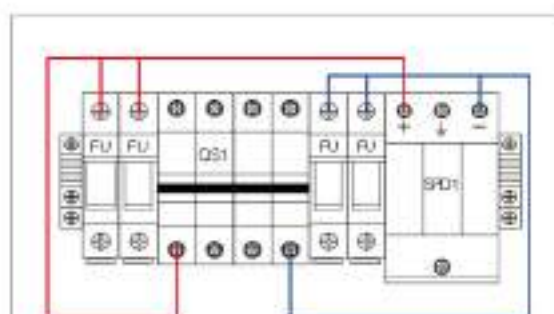


SHLX-PV4/2 DC COMBINER BOX

- High reliability
With DC FUSE
With DC Surge Protection Device
With DC circuit breaker or DC load isolation switch.
- Strong adaptability
IP65 design, waterproof, anti dust and anti ultraviolet.
Strict test for high and low temperature, used widely.
The simple installation, the simplified system wiring, the convenient wiring.
The box body is made of cold rolled steel and other metal materials.
- Flexible configuration
Used for single crystal silicon solar modules, polycrystalline silicon solar modules, thin film solar modules. Current rating of the photovoltaic fuse, circuit breaker, load isolation switch is modified.



DC550V



DC1000V

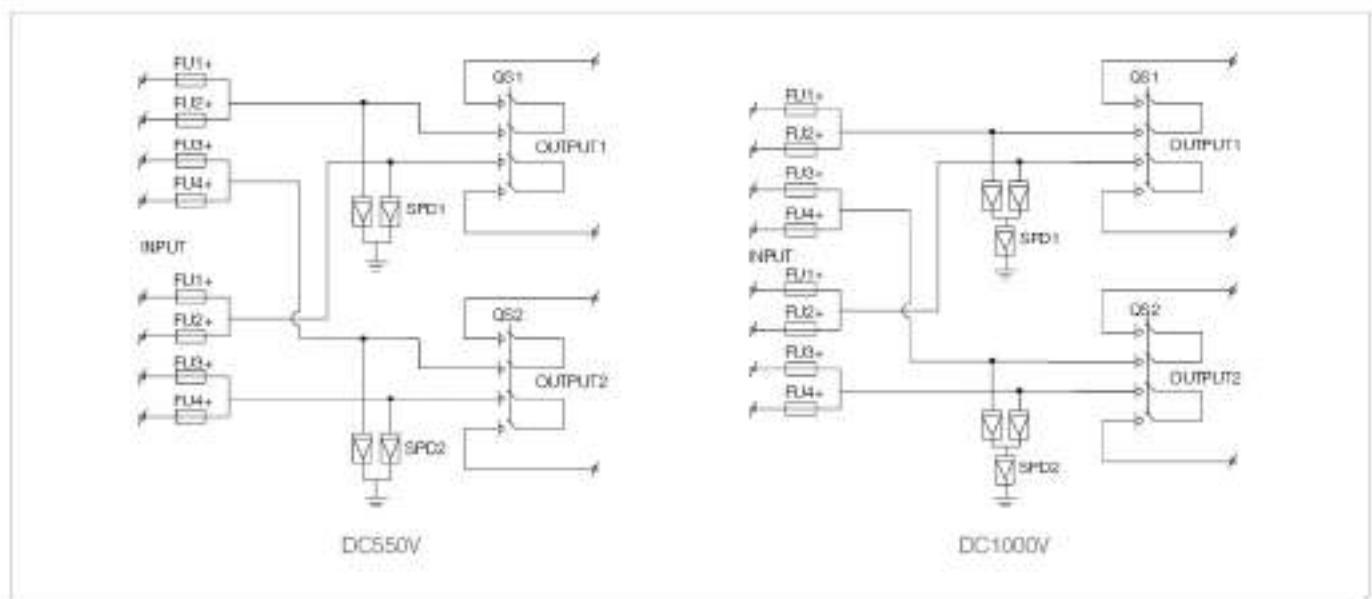
DESCRIPTION

SHLX-PV4/2 combiner box is suitable for inverter (MAX input voltage DC550V/DC1000V, 4 PV input channel, 2 output channel, double MPPT inverter). Box body is made of PVC engineering materials, with test for fire retardant, temperature rise, anti impact, anti ultraviolet, and other testing. IP65 protection grade.

TECHNICAL PARAMETERS

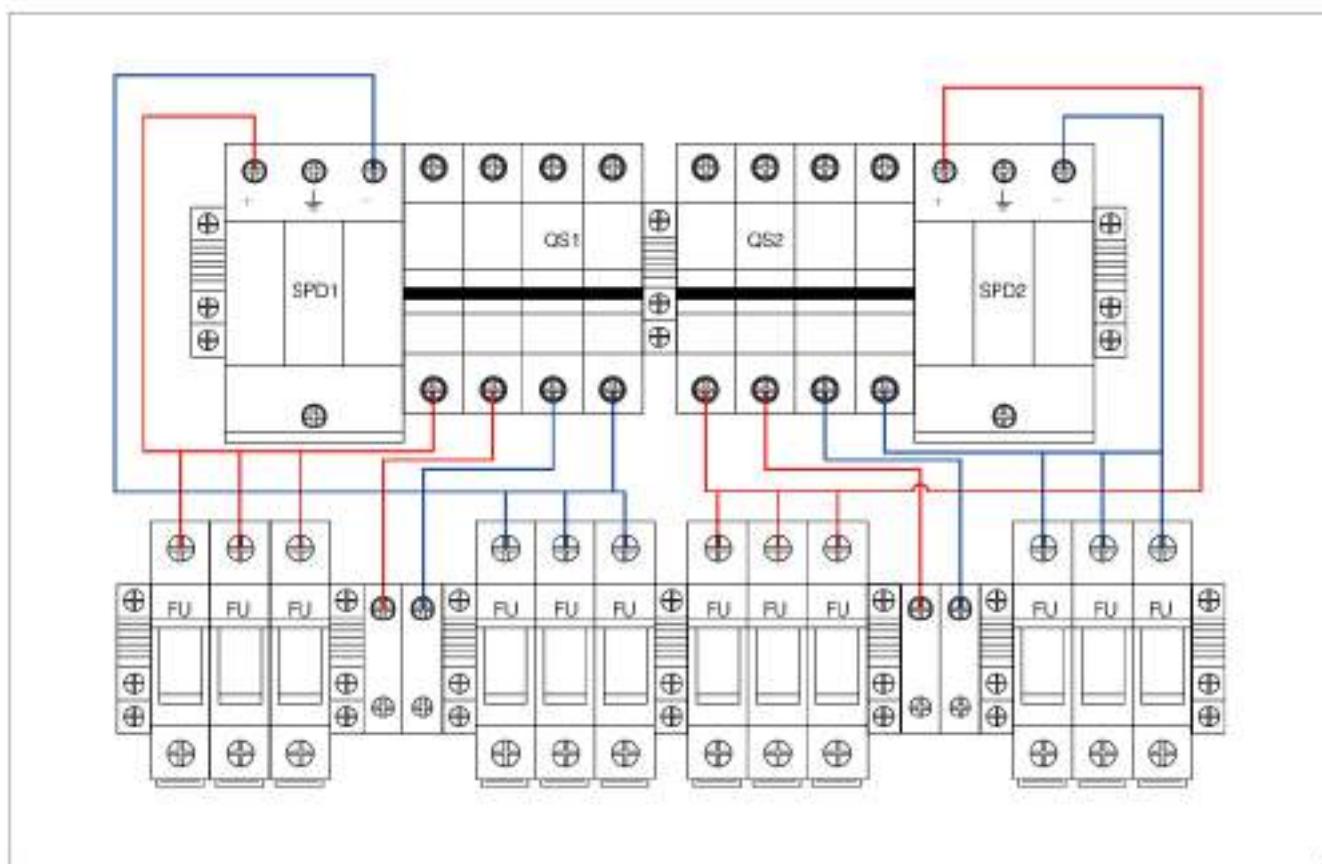
Name		SHLX-PV4/2	
		Electric parameter	
System maximum dc voltage	550		1000
Maximum input current for each string		15A	
Maximum input strings		1	
Maximum output switch current		20A/32A	
Number of inverter MPPT		2	
Number of Output strings		2	
		Lightning protection	
Category of test		II grade protection	
Nominal discharge current		20kA	
Maximum discharge current		40kA	
Voltage protection level	2.8kV		3.8kV
Maximum continuous operating voltage U _c	630V		1050V
Poles	2P		3P
Structure characteristic		Plug-push module	
		System	
Protection grade		IP65	
Output switch		DC isolation switch(standard)/DC circuit breaker(optional)	
SMC4 Waterproof Connectors		Standard	
PV dc fuse		Standard	
PV surge protector		Standard	
Monitoring module		Optional	
Preventing diode		Optional	
Box material		PVC	
Installation method		Wall mounting type	
Operating Temperature		-25°C ~ +55°C	
Elevation of temperature		2000M	
Permissible relative humidity		0-95% , no condensation	
		Mechanical parameter	
Width×High×Depth		300×415×140	

SCHEMATIC DIAGRAM



SHLX-PV6/2 DC COMBINER BOX

- High reliability
With DC FUSE
With DC Surge Protection Device
With DC circuit breaker or DC load isolation switch.
- Strong adaptability
IP65 design, waterproof, anti dust and anti ultraviolet.
Strict test for high and low temperature, used widely.
The simple installation, the simplified system wiring, the convenient wiring.
The box body is made of cold rolled steel and other metal materials.
- Flexible configuration
Used for single crystal silicon solar modules, polycrystalline silicon solar modules, thin film solar modules. Current rating of the photovoltaic fuse, circuit breaker, load isolation switch is modified.



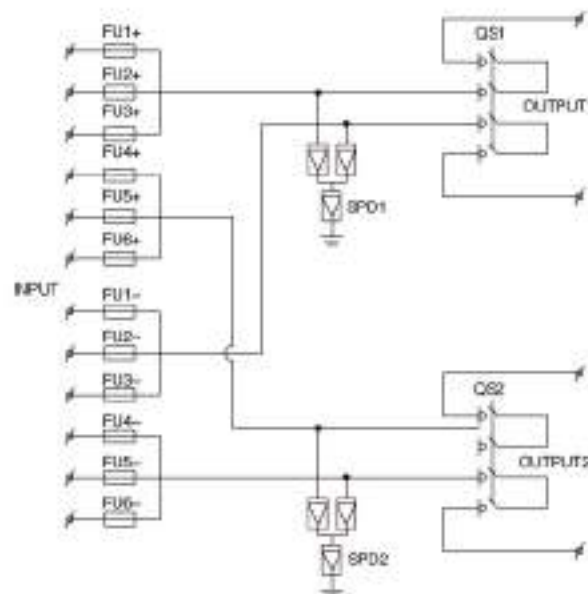
DESCRIPTION

SHLX-PV6/2 combiner box is suitable for inverter (MAX input voltage DC1000V, 6 PV input channel, 2 output channel, double MPPT inverter). Box body is made of PVC engineering materials, with test for fire retardant, temperature rise, anti impact, anti ultraviolet, and other testing. IP65 protection grade.

TECHNICAL PARAMETERS

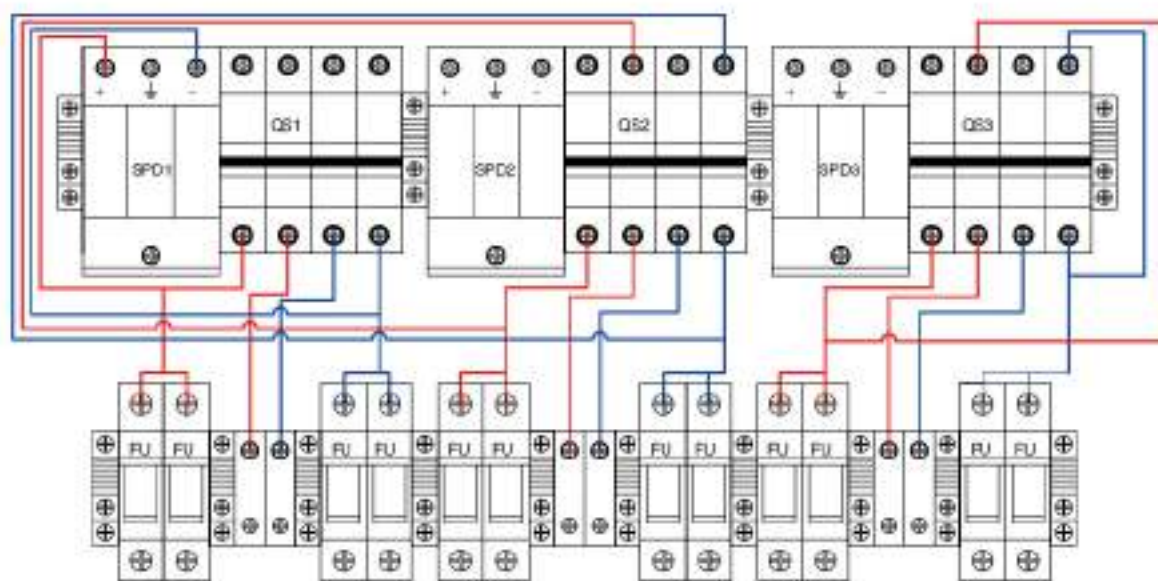
Name	SHLX-PV6/2
	Electric parameter
System maximum dc voltage	1000
Maximum input current for each string	15A
Maximum input strings	6
Maximum output switch current	32A/40A
Number of inverter MPPT	2
Number of Output strings	2
	Lightning protection
Category of test	II grade protection
Nominal discharge current	20kA
Maximum discharge current	40kA
Voltage protection level	3.8kV
Maximum continuous operating voltage U_c	1050V
Poles	3P
Structure characteristic	Plug-push module
	System
Protection grade	IP65
Output switch	DC isolation switch(standard)/DC circuit breaker(optional)
SMC4 Waterproof Connectors	Standard
PV dc fuse	Standard
PV surge protector	Standard
Monitoring module	Optional
Preventing diode	Optional
Box material	PVC
Installation method	Wall mounting type
Operating Temperature	-25°C ~ +55°C
Elevation of temperature	2000M
Permissible relative humidity	0-95% , no condensation
	Mechanical parameter
Width×High×Depth	400×300×160

SCHEMATIC DIAGRAM



SHLX-PV6/3 DC COMBINER BOX

- High reliability
With DC FUSE
With DC Surge Protection Device
With DC circuit breaker or DC load isolation switch.
- Strong adaptability
IP65 design, waterproof, anti dust and anti ultraviolet.
Strict test for high and low temperature, used widely.
The simple installation, the simplified system wiring, the convenient wiring.
The box body is made of cold rolled steel and other metal materials.
- Flexible configuration
Used for single crystal silicon solar modules, polycrystalline silicon solar modules, thin film solar modules. Current rating of the photovoltaic fuse, circuit breaker, load isolation switch is modified.



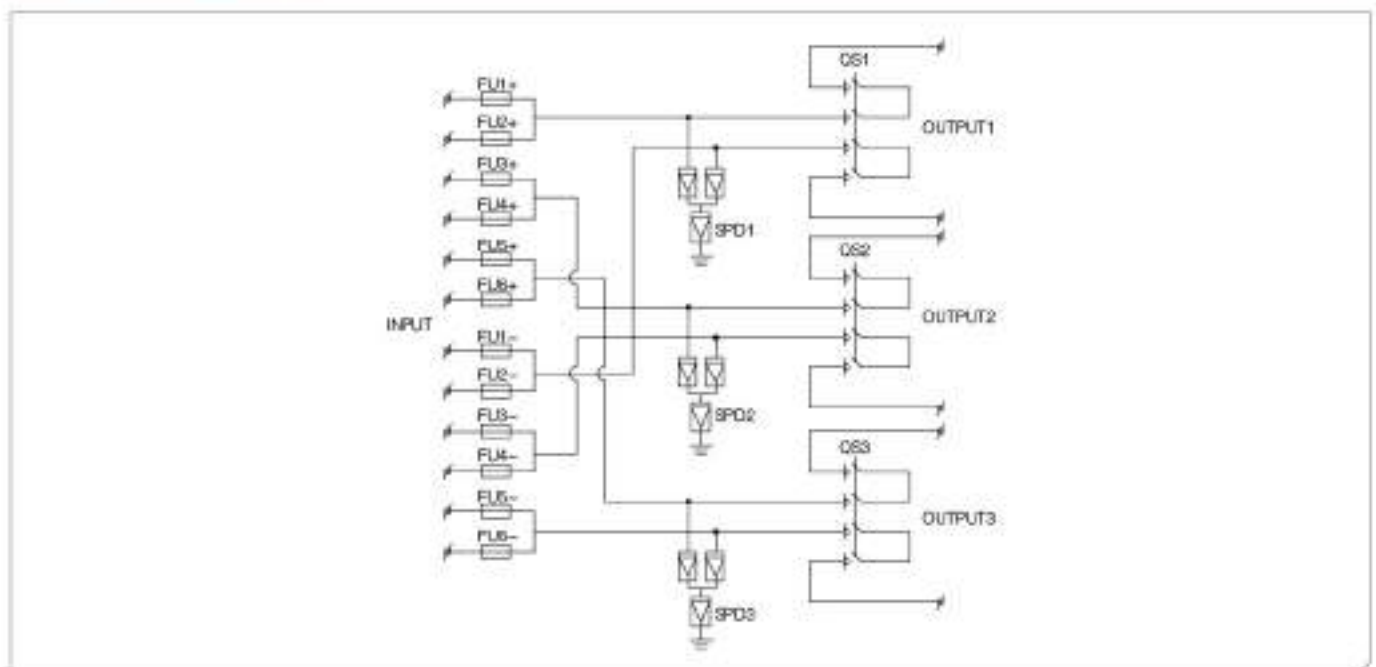
DESCRIPTION

SHLX-PV6/3 combiner box is suitable for inverter (MAX input voltage DC1000V, 6 PV input channel, 3 output channel). Box body is made of PVC engineering materials, with test for fire retardant, temperature rise, anti impact, anti ultraviolet, and other testing. IP65 protection grade. Design and configuration strictly accordance with the "Technical specification for photovoltaic junction equipment" CGC/GF 037:2014. Provide users with a safe, brief, beautiful and applicable photovoltaic system products.

TECHNICAL PARAMETERS

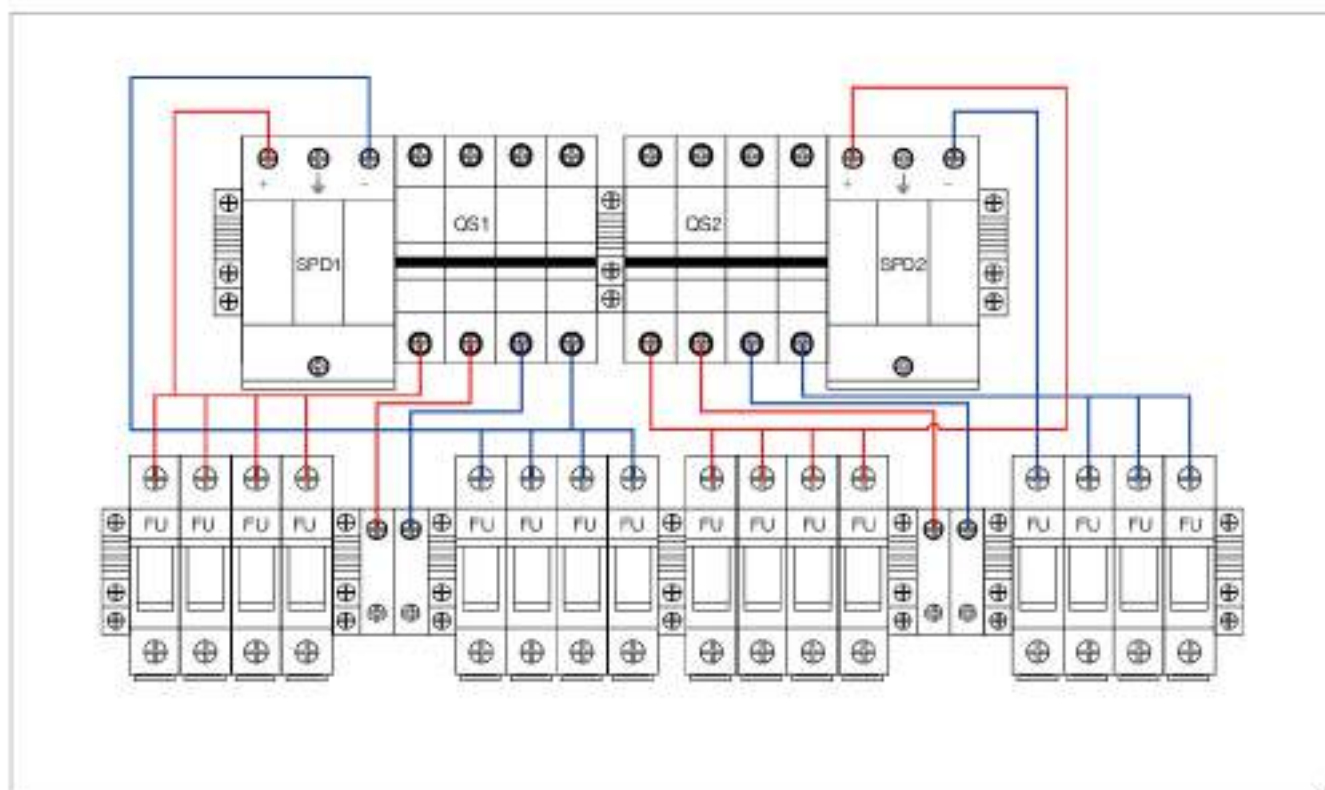
Name	SHLX-PV6/3
	Electric parameter
System maximum dc voltage	1000
Maximum input current for each string	15A
Maximum input strings	6
Maximum output switch current	20A/32A
Number of inverter MPPT	3
Number of Output strings	3
	Lightning protection
Category of test	II grade protection
Nominal discharge current	20kA
Maximum discharge current	40kA
Voltage protection level	3.8kV
Maximum continuous operating voltage U_c	1050V
Poles	3P
Structure characteristic	Plug-push module
	System
Protection grade	IP65
Output switch	DC isolation switch(standard)/DC circuit breaker(optional)
SMC4 Waterproof Connectors	Standard
PV dc fuse	Standard
PV surge protector	Standard
Monitoring module	Optional
Preventing diode	Optional
Box material	PVC
Installation method	Wall mounting type
Operating Temperature	-25°C-- +55°C
Elevation of temperature	2000M
Permissible relative humidity	0-95% , no condensation
	Mechanical parameter
Width×High×Depth	500×400×190

SCHEMATIC DIAGRAM



SHLX-PV8/2 DC COMBINER BOX

- High reliability
With DC FUSE
With DC Surge Protection Device
With DC circuit breaker or DC load isolation switch.
- Strong adaptability
IP65 design, waterproof, anti dust and anti ultraviolet.
Strict test for high and low temperature, used widely.
The simple installation, the simplified system wiring, the convenient wiring.
The box body is made of cold rolled steel and other metal materials.
- Flexible configuration
Used for single crystal silicon solar modules, polycrystalline silicon solar modules, thin film solar modules. Current rating of the photovoltaic fuse, circuit breaker, load isolation switch is modified.



DESCRIPTION

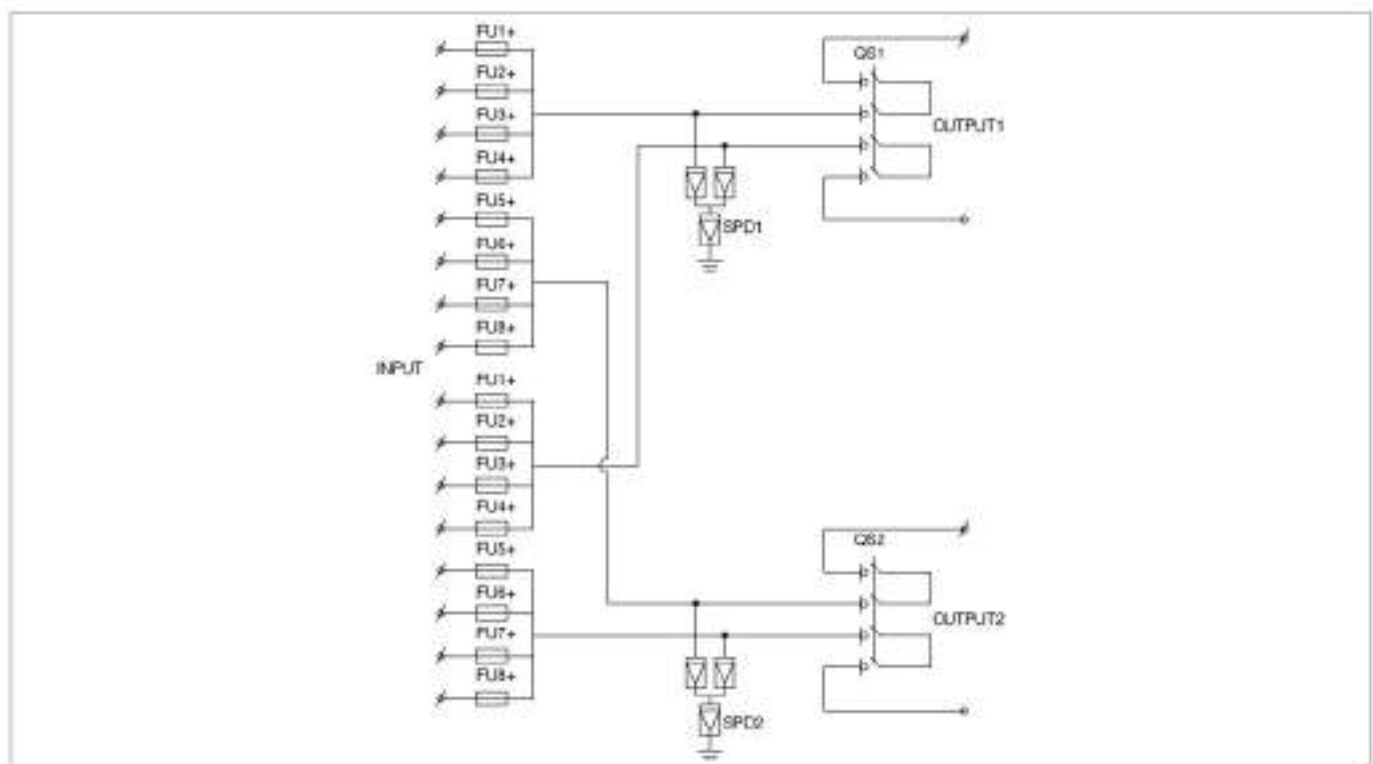
SHLX-PV8/2 combiner box is suitable for inverter (MAX input voltage DC1000V, 8 PV input channel, 2 output channel, double MPPT inverter). Box body is made of PVC engineering materials, with test for fire retardant, temperature rise, anti impact, anti ultraviolet, and other testing. IP65 protection grade.

Design and configuration strictly accordance with the "Technical specification for photovoltaic junction equipment" CGC/GF 037:2014. Provide users with a safe, brief, beautiful and applicable photovoltaic system products.

TECHNICAL PARAMETERS

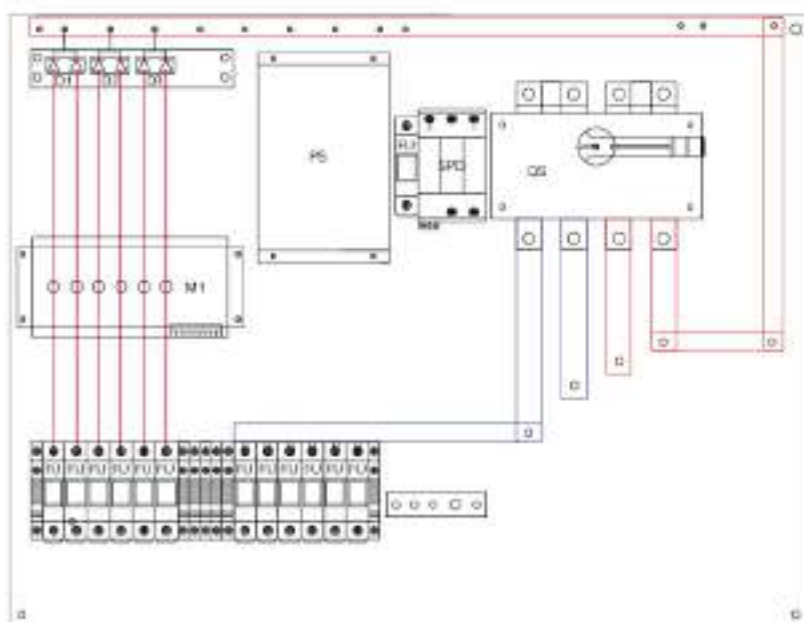
Name	SHLX-PV8/2
	Electric parameter
System maximum dc voltage	1000
Maximum input current for each string	15A
Maximum input strings	6
Maximum output switch current	20A/32A
Number of inverter MPPT	2
Number of Output strings	2
	Lightning protection
Category of test	II grade protection
Nominal discharge current	20kA
Maximum discharge current	40kA
Voltage protection level	3.8kV
Maximum continuous operating voltage U_c	1050V
Poles	3P
Structure characteristic	Plug-push module
	System
Protection grade	IP65
Output switch	DC isolation switch(standard)/DC circuit breaker(optional)
SMC4 Waterproof Connectors	Standard
PV dc fuse	Standard
PV surge protector	Standard
Monitoring module	Optional
Preventing diode	Optional
Box material	PVC
Installation method	Wall mounting type
Operating temperature	-25°C -- +55°C
Elevation of temperature	2000M
Permissible relative humidity	0-95% , no condensation
	Mechanical parameter
Width×High×Depth	500×400×190

SCHEMATIC DIAGRAM



SHLX-PV6/1 DC COMBINER BOX

- High reliability
With DC FUSE
With DC Surge Protection Device
With DC circuit breaker or DC load isolation switch.
- Strong adaptability
IP65 design, waterproof, anti dust and anti ultraviolet.
Strict test for high and low temperature, used widely.
The simple installation, the simplified system wiring, the convenient wiring.
The box body is made of cold rolled steel and other metal materials.
- Flexible configuration
Used for single crystal silicon solar modules, polycrystalline silicon solar modules, thin film solar modules. Current rating of the photovoltaic fuse, circuit breaker, load isolation switch is modified.



DESCRIPTION

SHLX-PV6/1 PV combiner box bus synthetic DC: input of 6 PV components to 1 output. Each channel is with a fuse. Output side is equipped with lightning protection and circuit breaker. It greatly simplify input wiring of DC power distribution cabinet and inverter. Realize lightning protection, short circuit protection and grounding protection. PV combiner box divided into two types: intelligent box and non-intelligent box. Intelligent PV combiner box is equipped with monitoring unit, then detect input current of each string, detect inside temperature, detect lightning protection status, detect circuit breaker status and summarize output voltage and so on.

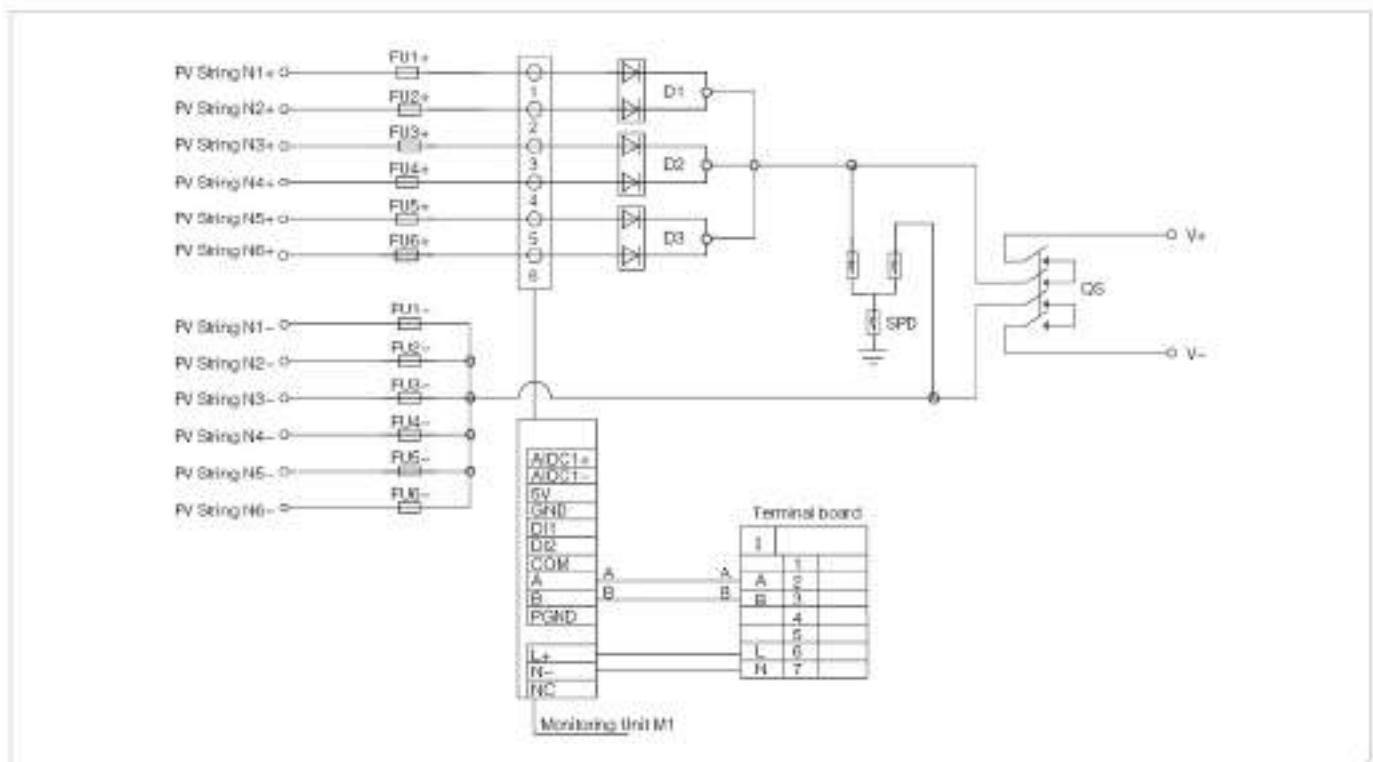
Design and configuration strictly accordance with the "Technical specification for photovoltaic junction equipment" CGC/GF 037:2014. Provide users with a safe, brief, beautiful and applicable photovoltaic system products.

The product adopts outdoor wall mounted type, which adapt to the harsh environment. In addition to the core components, the other can be customized by user requirements.

TECHNICAL PARAMETERS

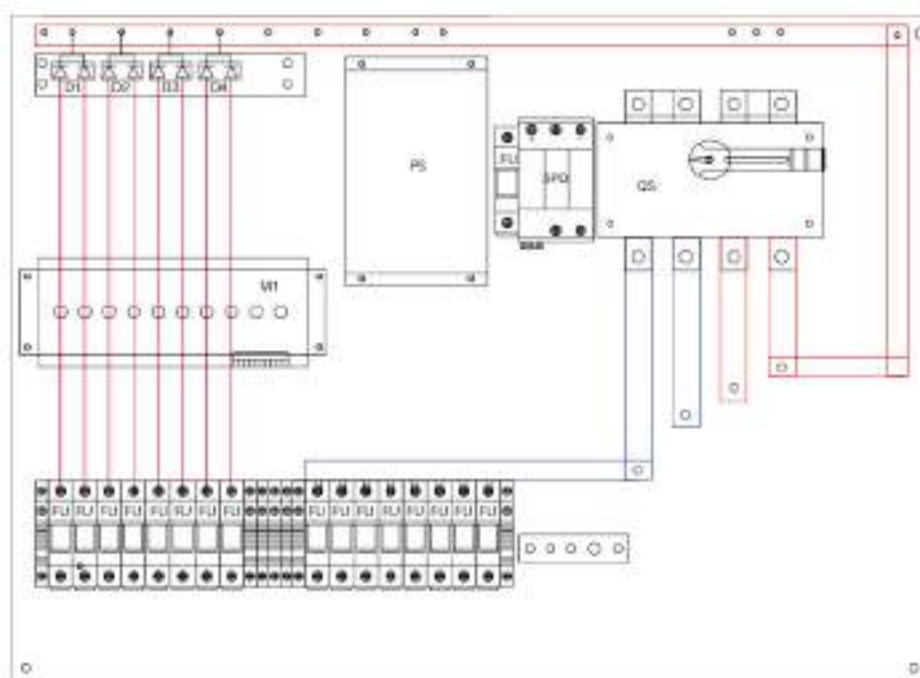
Name	SHLX-PV6/L
	Electric parameter
System maximum dc voltage	1000
Maximum input current for each string	15A
Maximum input strings	6
Maximum output switch current	20A/32A
Number of inverter MPPT	N
Number of Output strings	1
	Lightning protection
Category of test	II grade protection
Nominal discharge current	20kA
Maximum discharge current	40kA
Voltage protection level	3.8kV
Maximum continuous operating voltage U _c	1050V
Poles	3P
Structure characteristic	Plug-push module
	System
Protection grade	IP65
Output switch	DC isolation switch(standard)/DC circuit breaker(optional)
SMC4 Waterproof Connectors	Standard
PV dc fuse	Standard
PV surge protector	Standard
Monitoring module	Optional
Preventing diode	Optional
Box material	Metal
Installation method	Wall mounting type
Operating Temperature	-25°C ~ +55°C
Elevation of temperature	2000m
Permissible relative humidity	0~95% , no condensation

SCHEMATIC DIAGRAM



SHLX-PV8/1 DC COMBINER BOX

- High reliability
With DC FUSE
With DC Surge Protection Device
With DC circuit breaker or DC load isolation switch.
- Strong adaptability
IP65 design, waterproof, anti dust and anti ultraviolet.
Strict test for high and low temperature, used widely.
The simple installation, the simplified system wiring, the convenient wiring.
The box body is made of cold rolled steel and other metal materials.
- Flexible configuration
Used for single crystal silicon solar modules, polycrystalline silicon solar modules, thin film solar modules. Current rating of the photovoltaic fuse, circuit breaker, load isolation switch is modified.



DESCRIPTION

SHLX-PV8/1 PV combiner box bus synthetic DC: input of 8 PV components to 1 output. Each channel is with a fuse. Output side is equipped with lightning protection and circuit breaker. It greatly simplify input wiring of DC power distribution cabinet and inverter. Realize lightning protection, short circuit protection and grounding protection. PV combiner box divided into two types: intelligent box and non-intelligent box. Intelligent PV combiner box is equipped with monitoring unit, then detect input current of each string, detect inside temperature, detect lightning protection status, detect circuit breaker status and summarize output voltage and so on.

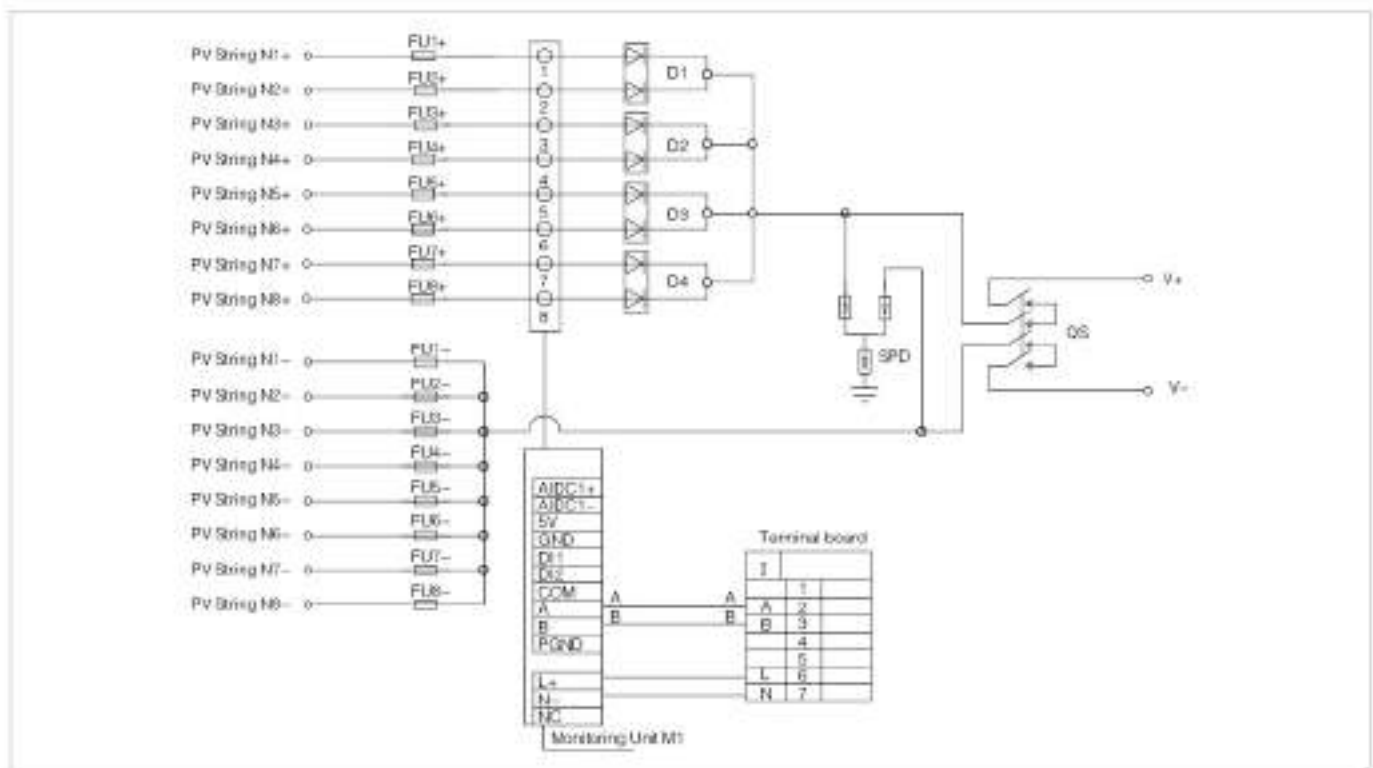
Design and configuration strictly accordance with the "Technical specification for photovoltaic junction equipment" CGC/GF 037:2014. Provide users with a safe, brief, beautiful and applicable photovoltaic system products.

The product adopts outdoor wall mounted type, which adapt to the harsh environment. In addition to the core components, the other can be customized by user requirements.

TECHNICAL PARAMETERS

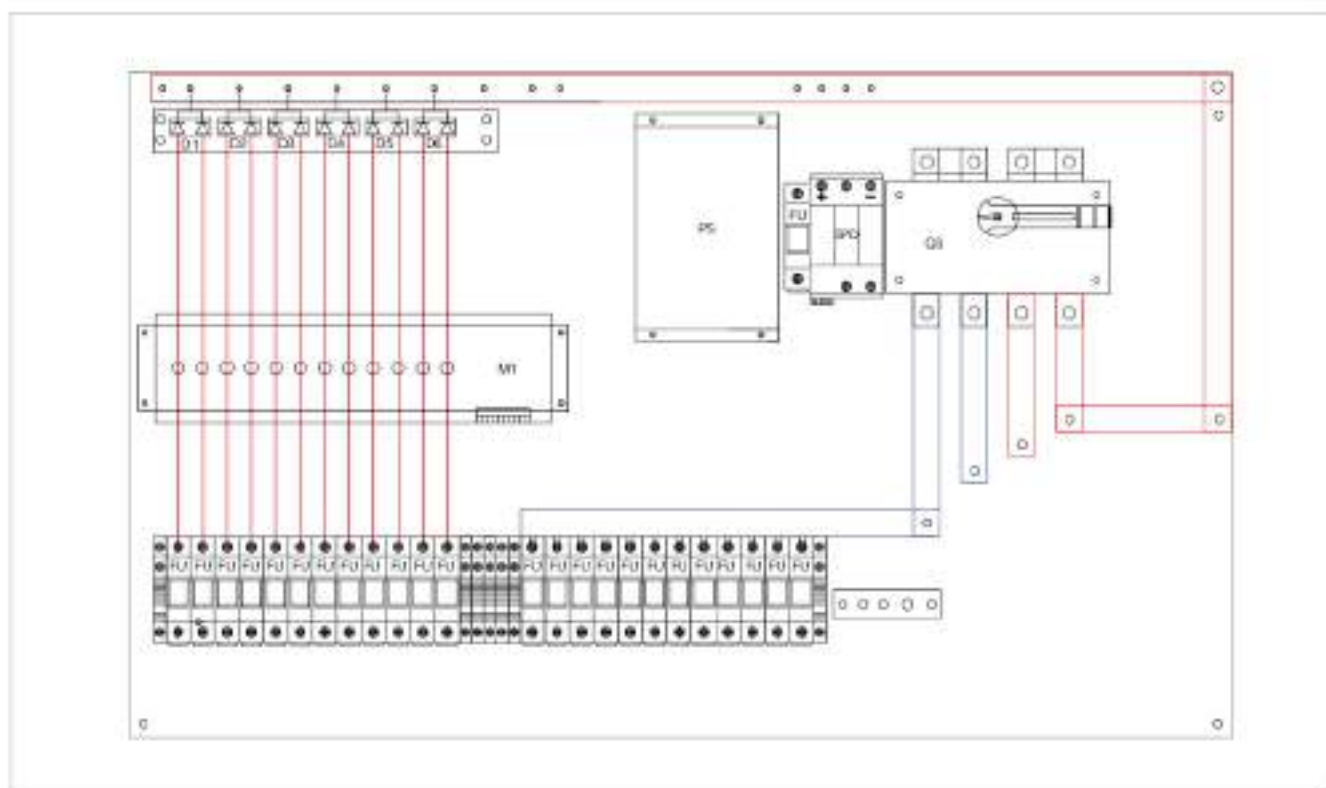
Name	SHLX-PV8/L
	Electric parameter
System maximum dc voltage	1000
Maximum input current for each string	15A
Maximum input strings	6
Maximum output switch current	125A
Number of inverter MPPT	N
Number of Output strings	1
	Lightning protection
Category of test	II grade protection
Nominal discharge current	20kA
Maximum discharge current	40kA
Voltage protection level	3.8kV
Maximum continuous operating voltage U_c	1050V
Poles	3P
Structure characteristic	Plug-push module
	System
Protection grade	IP65
Output switch	DC isolation switch(standard)/DC circuit breaker(optional)
SMC4 Waterproof Connectors	Standard
PV dc fuse	Standard
PV surge protector	Standard
Monitoring module	Optional
Preventing diode	Optional
Box material	Metal
Installation method	Wall mounting type
Operating Temperature	-25°C ~ +55°C
Elevation of temperature	2000m
Permissible relative humidity	0~95% , no condensation

SCHEMATIC DIAGRAM



SHLX-PV12/1 DC COMBINER BOX

- High reliability
With DC FUSE
With DC Surge Protection Device
With DC circuit breaker or DC load isolation switch.
- Strong adaptability
IP65 design, waterproof, anti dust and anti ultraviolet.
Strict test for high and low temperature, used widely.
The simple installation, the simplified system wiring, the convenient wiring.
The box body is made of cold rolled steel and other metal materials.
- Flexible configuration
Used for single crystal silicon solar modules, polycrystalline silicon solar modules, thin film solar modules. Current rating of the photovoltaic fuse, circuit breaker, load isolation switch is modified.



DESCRIPTION

SHLX-PV12/1 PV combiner box bus synthetic DC input of 12 PV components to 1 output. Each channel is with a fuse. Output side is equipped with lightning protection and circuit breaker. It greatly simplify input wiring of DC power distribution cabinet and inverter. Realize lightning protection, short circuit protection and grounding protection. PV combiner box divided into two types: intelligent box and non-intelligent box. Intelligent PV combiner box is equipped with monitoring unit, then detect input current of each string, detect inside temperature, detect lightning protection status, detect circuit breaker status and summarize output voltage and so on.

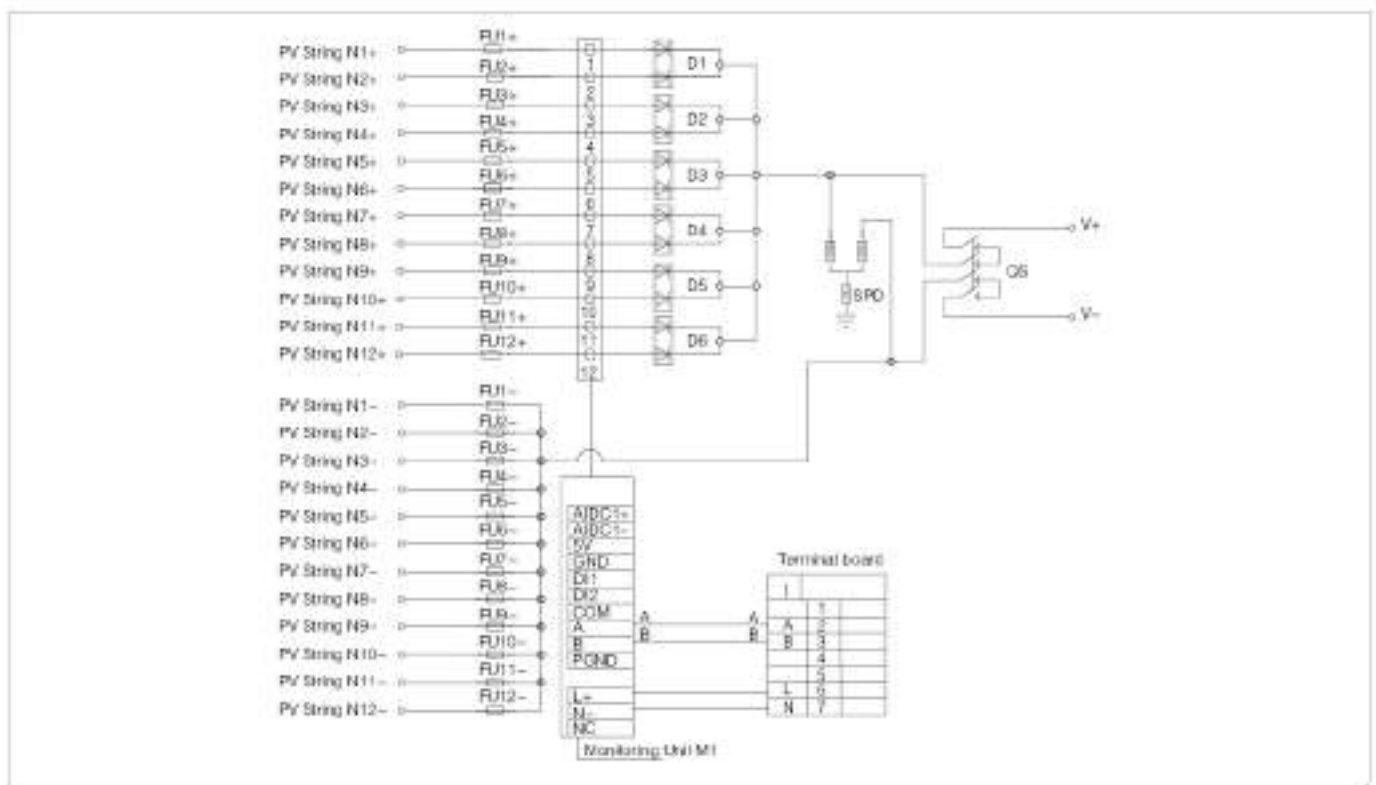
Design and configuration strictly accordance with the "Technical specification for photovoltaic junction equipment" CGC/GF 037:2014. Provide users with a safe, brief, beautiful and applicable photovoltaic system products.

The product adopts outdoor wall mounted type, which adapt to the harsh environment. In addition to the core components, the other can be customized by user requirements.

TECHNICAL PARAMETERS

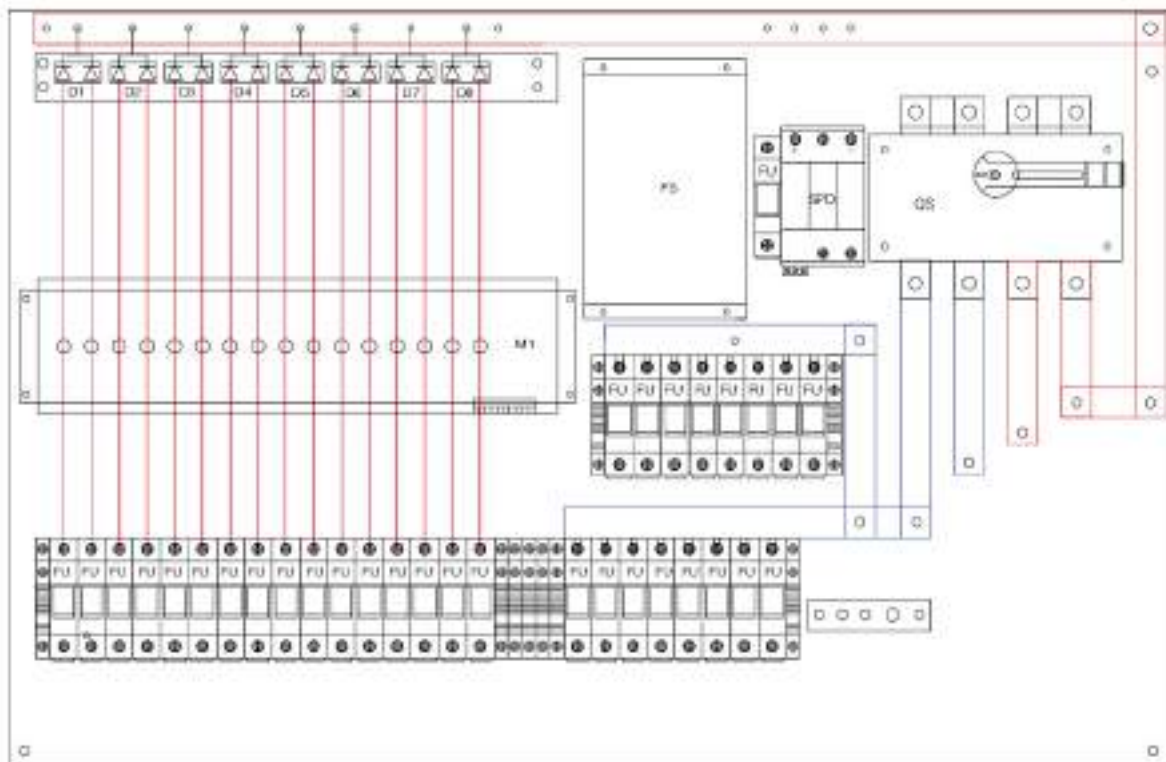
Name	SHLX-PV12/1
	Electric parameter
System maximum dc voltage	1000
Maximum input current for each string	15A
Maximum input strings	12
Maximum output switch current	160A
Number of inverter MPPT	N
Number of Output strings	1
	Lightning protection
Category of test	II grade protection
Nominal discharge current	20kA
Maximum discharge current	40kA
Voltage protection level	3.8kV
Maximum continuous operating voltage U _c	1050V
Poles	3P
Structure characteristic	Plug-push module
	System
Protection grade	IP65
Output switch	DC isolation switch(standard)/DC circuit breaker(optional)
SMC4 Waterproof Connectors	Standard
PV dc fuse	Standard
PV surge protector	Standard
Monitoring module	Optional
Preventing diode	Optional
Box material	Metal
Installation method	Wall mounting type
Operating Temperature	-25℃~+55℃
Elevation of temperature	2000米
Permissible relative humidity	0-95% , no condensation

SCHEMATIC DIAGRAM



SHLX-PV16/1 DC COMBINER BOX

- High reliability
 - With DC FUSE
 - With DC Surge Protection Device
 - With DC circuit breaker or DC load isolation switch.
- Strong adaptability
 - IP65 design, waterproof, anti dust and anti ultraviolet.
 - Strict test for high and low temperature, used widely.
 - The simple installation, the simplified system wiring, the convenient wiring.
 - The box body is made of cold rolled steel and other metal materials.
- Flexible configuration
 - Used for single crystal silicon solar modules, polycrystalline silicon solar modules, thin film solar modules. Current rating of the photovoltaic fuse, circuit breaker, load isolation switch is modified.



DESCRIPTION

SHLX-PV16/1 PV combiner box bus-synthetic DC input of 16 PV components to 1 output. Each channel is with a fuse. Output side is equipped with lightning protection and circuit breaker. It greatly simplify input wiring of DC power distribution cabinet and inverter. Realize lightning protection, short circuit protection and grounding protection. PV combiner box divided into two types: intelligent box and non-intelligent box. Intelligent PV combiner box is equipped with monitoring unit, then detect input current of each string, detect inside temperature, detect lightning protection status, detect circuit breaker status and summarize output voltage and so on.

Design and configuration strictly accordance with the "Technical specification for photovoltaic junction equipment " CGC/GF 037:2014. Provide users with a safe, brief, beautiful and applicable photovoltaic system products.

The product adopts outdoor wall mounted type, which adapt to the harsh environment. In addition to the core components, the other can be customized by user requirements.

TECHNICAL PARAMETERS

Name	SHLX-PV16/1
	Electric parameter
System maximum dc voltage	1000
Maximum input current for each string	15A
Maximum input strings	16
Maximum output switch current	200A
Number of inverter MPPT	N
Number of Output strings	1
	Lightning protection
Category of test	II grade protection
Nominal discharge current	20kA
Maximum discharge current	40kA
Voltage protection level	3.8kV
Maximum continuous operating voltage U _c	1050V
Poles	3P
Structure characteristic	Plug-push module
	System
Protection grade	IP65
Output switch	DC isolation switch(standard)/DC circuit breaker(optional)
SMC4 Waterproof Connectors	Standard
PV dc fuse	Standard
PV surge protector	Standard
Monitoring module	Optional
Preventing diode	Optional
Box material	Metal
Installation method	Wall mounting type
Operating temperature	-25℃-- +55℃
Elevation of temperature	2000米
Permissible relative humidity	0~95% , no condensation

SCHEMATIC DIAGRAM

