

2/2 pv string box

- High reliability

With DC fuse

With DC Surge Protection Device

With DC circuit breaker or DC load isolation switch.

- Strong adaptability

IP65 design, waterproof, anti-dust and anti ultraviolet.

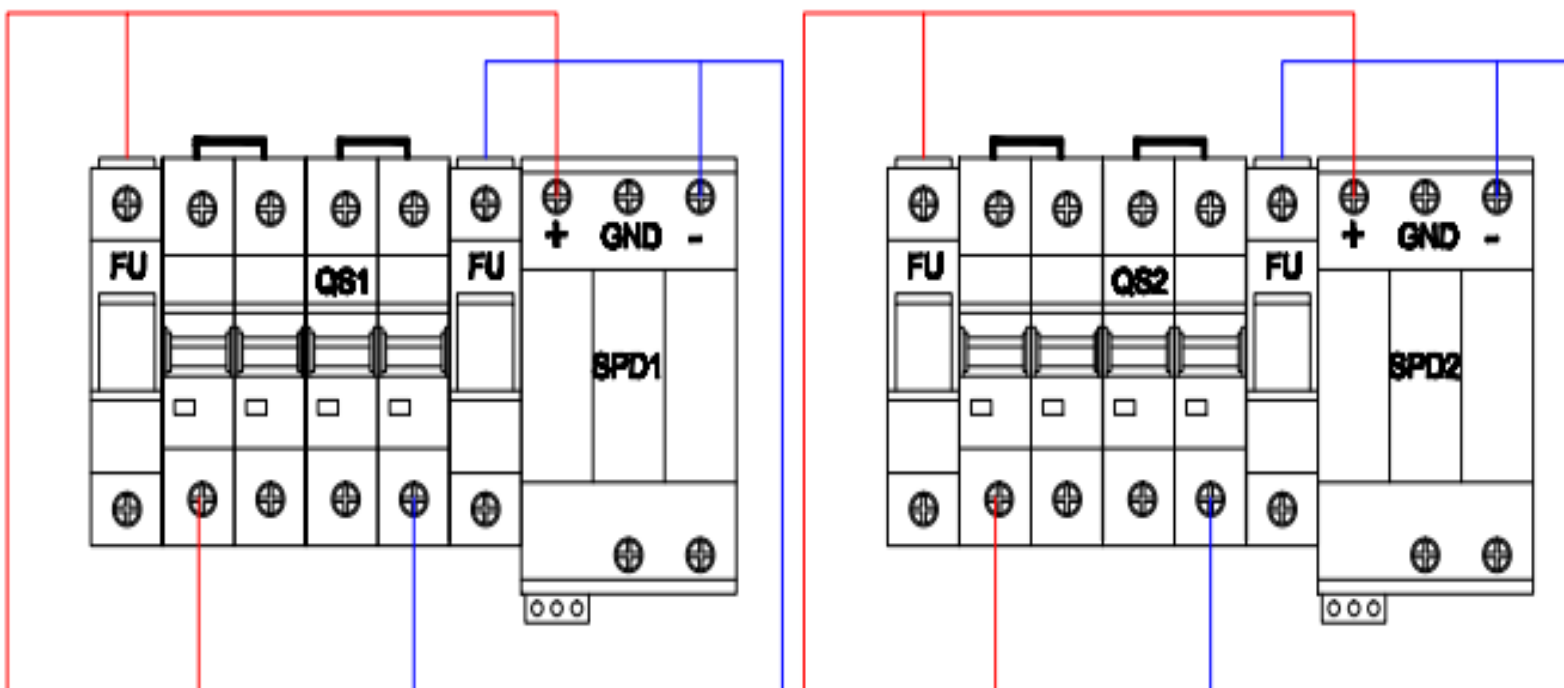
String test for high and low temperature, used widely.

Then simple installation, the simplified system wiring, the convenient wiring.

The box body is made of cold rolled steel and other metal materials.

- Flexible configuration

Used for single crystal silicon solar modules, polycrystalline silicon solar modules, thin film solar modules. Current rating of the photovoltaic fuse, circuit breaker, load isolation is



modified.

Description

2/2 string box is suitable for inverter (Max input DC1000V, 2 PV input channel, 1 output channel, single MPPT inverter). Box

body is made of PVC engineering materials, with test for fire retardant, temperature rise, anti impact, anti ultraviolet, and other testing. IP65 protection grade.

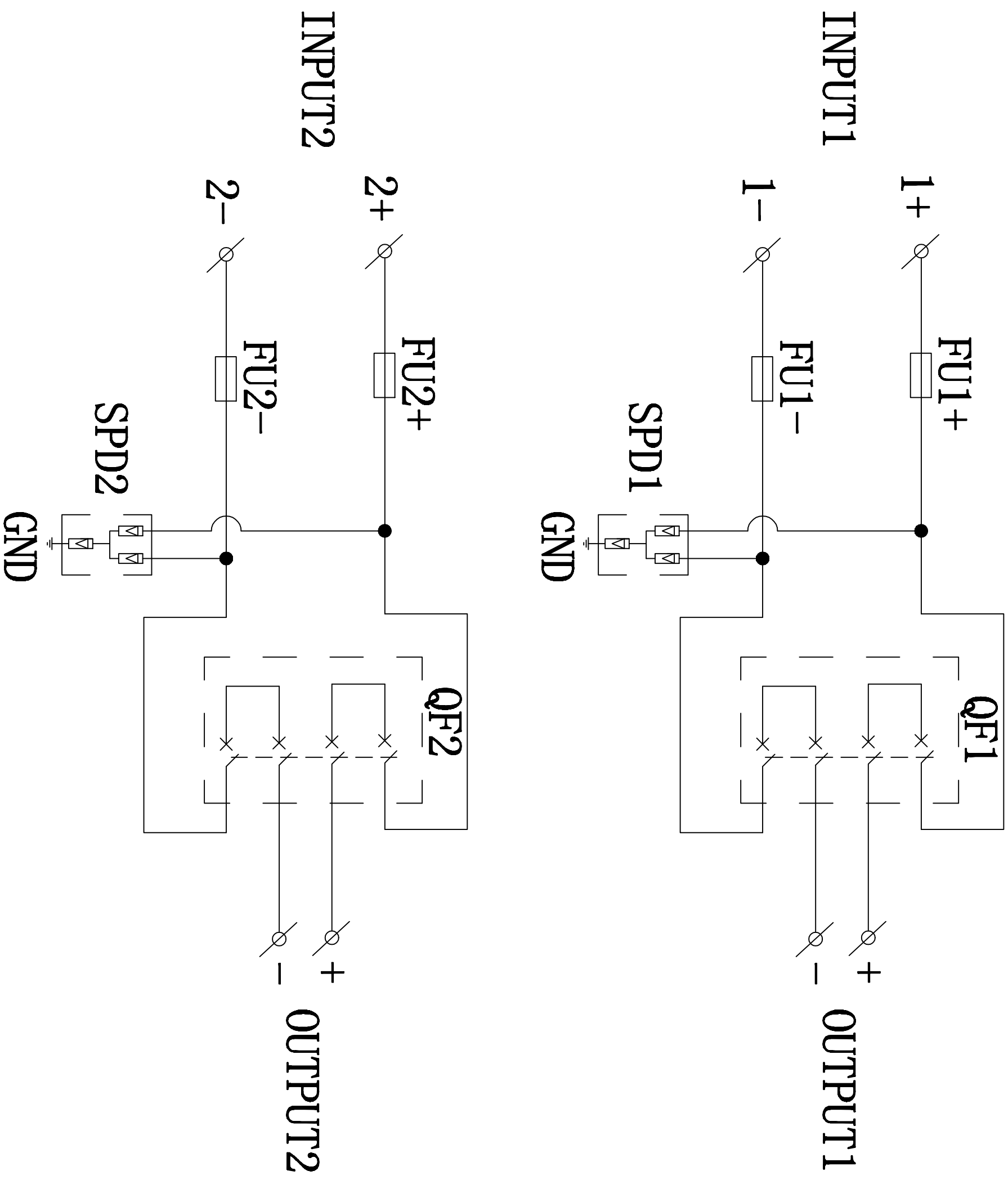
Design and configuration strictly accordance with the “Technical specification for photovoltaic junction equipment”CGC/GF 037:2014. Provide users with a safe, brief, beautiful and applicable photovoltaic system products.

Technical parameters

| | |
|---------------------------------------|---------------------|
| Name | 2/2 pv string box |
| System maximum dc voltage | 1000VDC |
| Maximum input current for each string | 15A |
| Maximum output switch current | 20A/32A |
| Number of inverter MPPT | 2 |
| Number of Output strings | 2 |
| Lightning protection | |
| Category of test | II grade protection |

| | |
|---|--|
| Nominal discharge current | 20kA |
| Maximum discharge current | 40kA |
| Voltage protection level | 2.8kV; 3.8kV |
| Maximum continuous operating voltage U _c | 630V; 1050V |
| Poles | 3P |
| Structure characteristic | Plug-push module |
| System | |
| Protection grade | IP65 |
| Output Switch | DC isolation switch (standard)/DC circuit breaker (Optional) |
| SMC4 waterproof connectors | Standard |
| PC dc fuse | Standard |
| PV surge protector | Standard |
| Monitoring module | Optional |

| | |
|-------------------------------|------------------------|
| Preventing diode | Optional |
| Box material | PVC |
| Installation method | Wall mounting type |
| Operating Temperature | -25°C to +55°C |
| Elevation of temperature | 2km |
| Permissible relative humidity | 0-95%, no condensation |
| Mechanical parameter | |
| Width, height, depth | 410*285*140 |



DC1000V